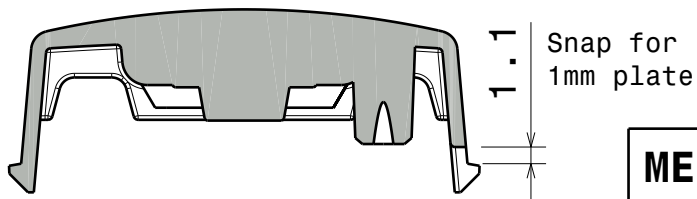
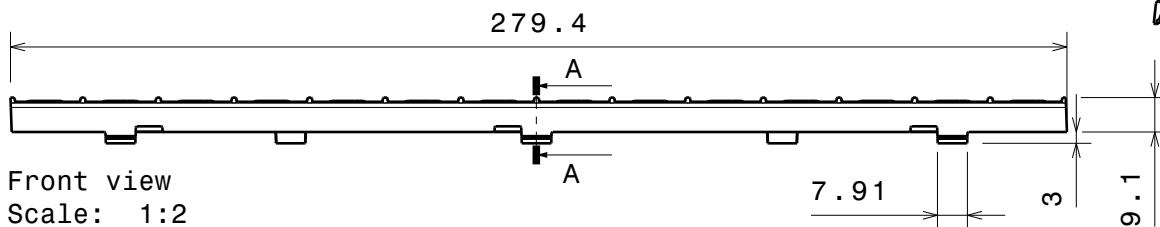
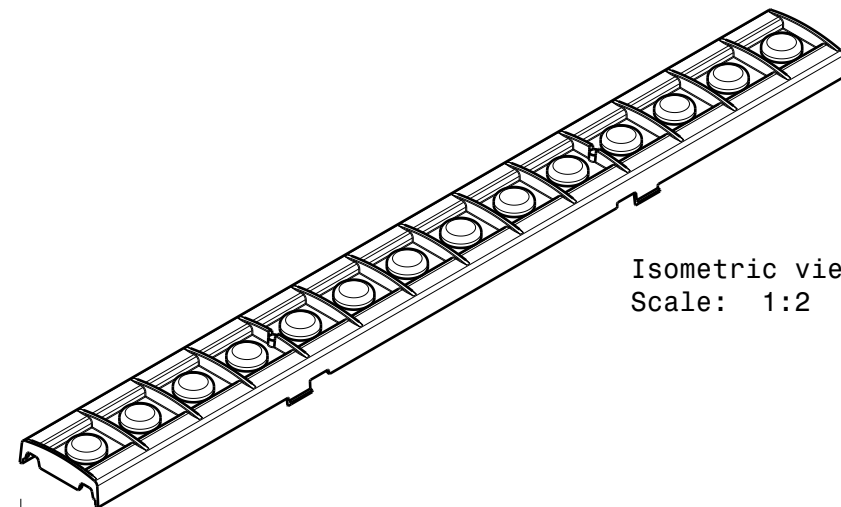
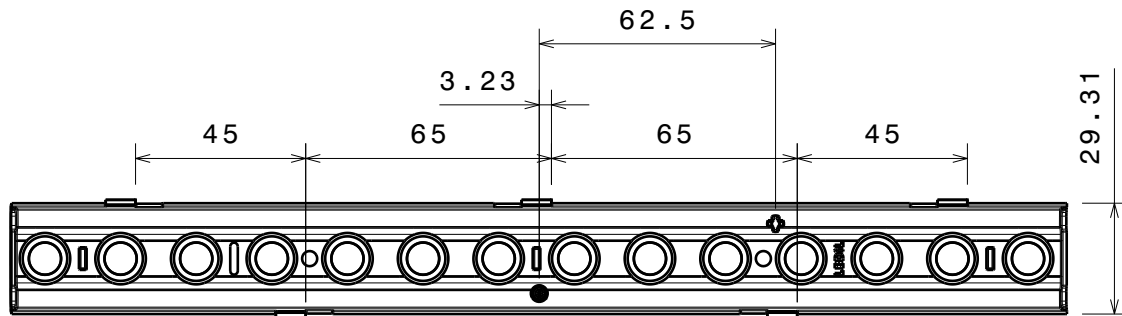


DATE  
04.02.2019



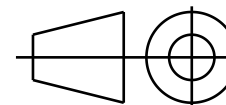
PART	TYPE	MATERIAL	COLOR / COATING
C16613_CLAUDIA-90		PMMA	

**MECHANICAL DRAWING**

PRODUCT  
**CLAUDIA**

Plastic moulding general tolerances according to DIN 16901-130 and applies if not otherwise shown in the drawing. Silicone moulding general tolerances according to ISO 3302-1 Class M3 and applies if not otherwise shown in the drawing.

FIRST ANGLE PROJECTION:



**LEDiL**®

This drawing is the property of LEDiL Oy. It may not be copied or otherwise distributed without prior written permission from LEDiL Oy.

SCALE 1:2

WEIGHT 23 g

A4 SHEET 1/1